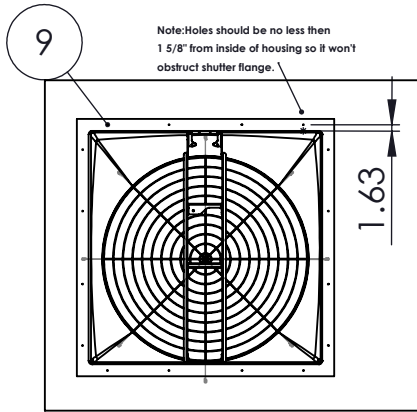


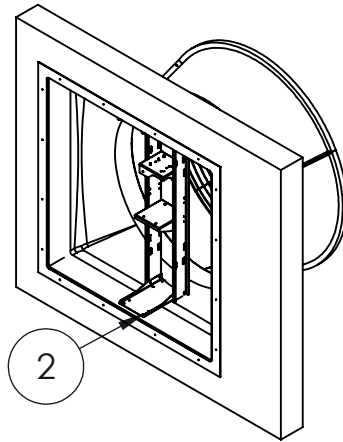
54 Inch Fan Instulation Instructions

Desired Rough opening 61.5 W X 61.5 H

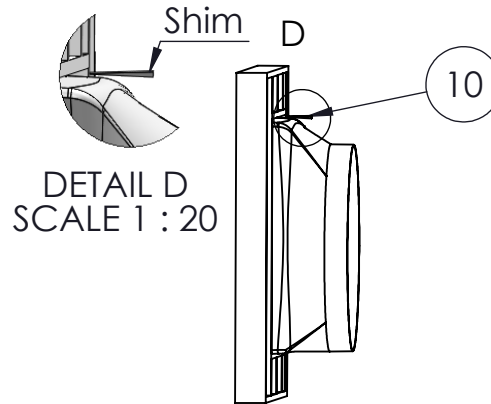
Step 1
Lay fan face down and pre drill holes at 16 desired locations around flange. Slip fan into rough opening making sure its square, and screw into place thru pre drilled holes . section 9



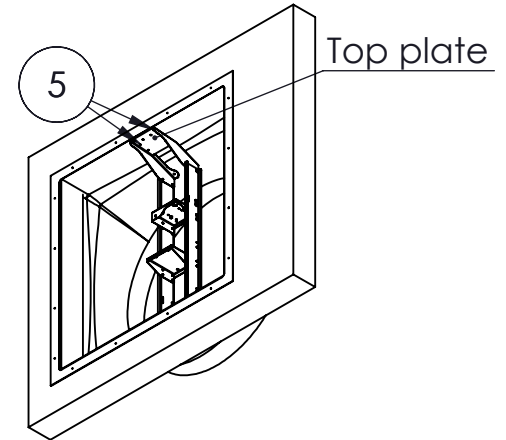
Step 2
Predrill housing thru bottem plate, and apply four 2.5" lagscrews thru bottom plate and housing, into bottom frame. section 2



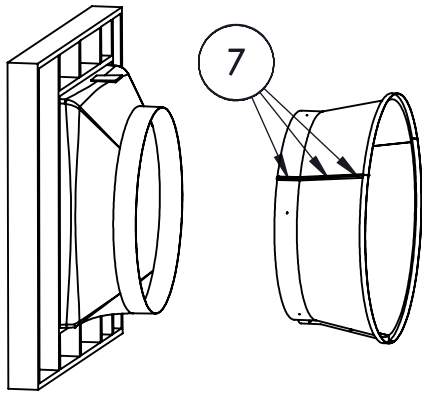
Step 3
Shim gap between housing and top frame, directly above top motor mount plate. section 10



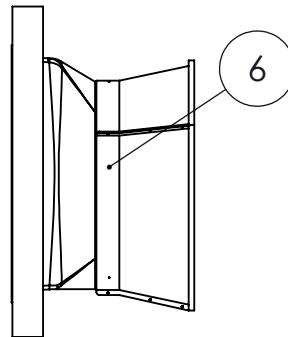
Step 4
predrill housing and shim, and apply four lag screws thru top mount, making sure they'r secure into top frame. section 5



Step 5
Position 3 piece cone to acctual shape using vice grip or clamp drill and bolt at 3 disired locations along each splice making sure inside of cone is flush at the seam . section 7



Step 6
Slip cone onto fan housing and drill five 5/16" holes at desired spacing around cone and bolt cone from the inside out, making sure to be far enough ahead so blade can not hit truss head of bolt: section 6



Step 7
Position guard to face of cone drill thru eye of guard and bolt guard to cone using 5/16 X 3/4" truss head bolts. section 8

